
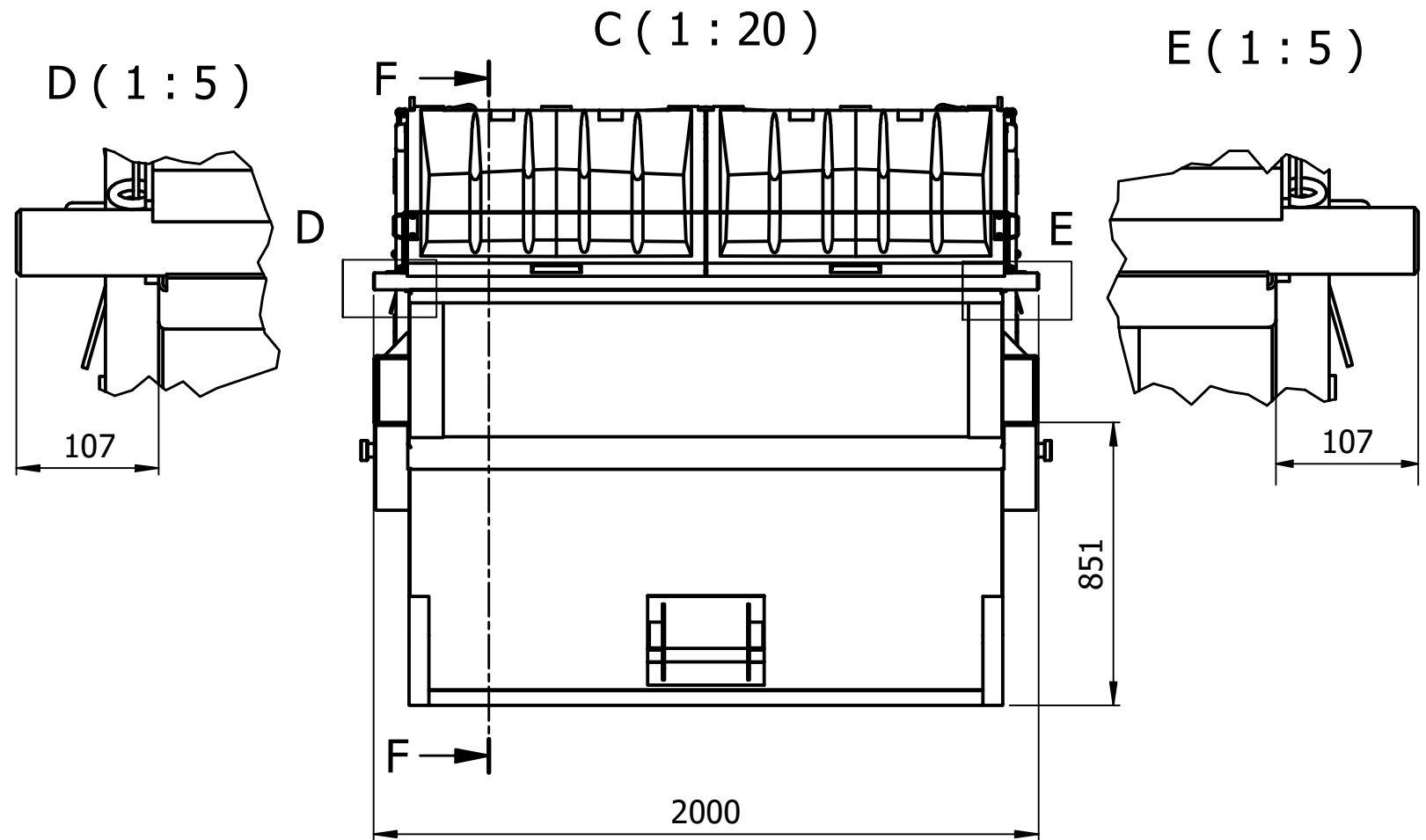
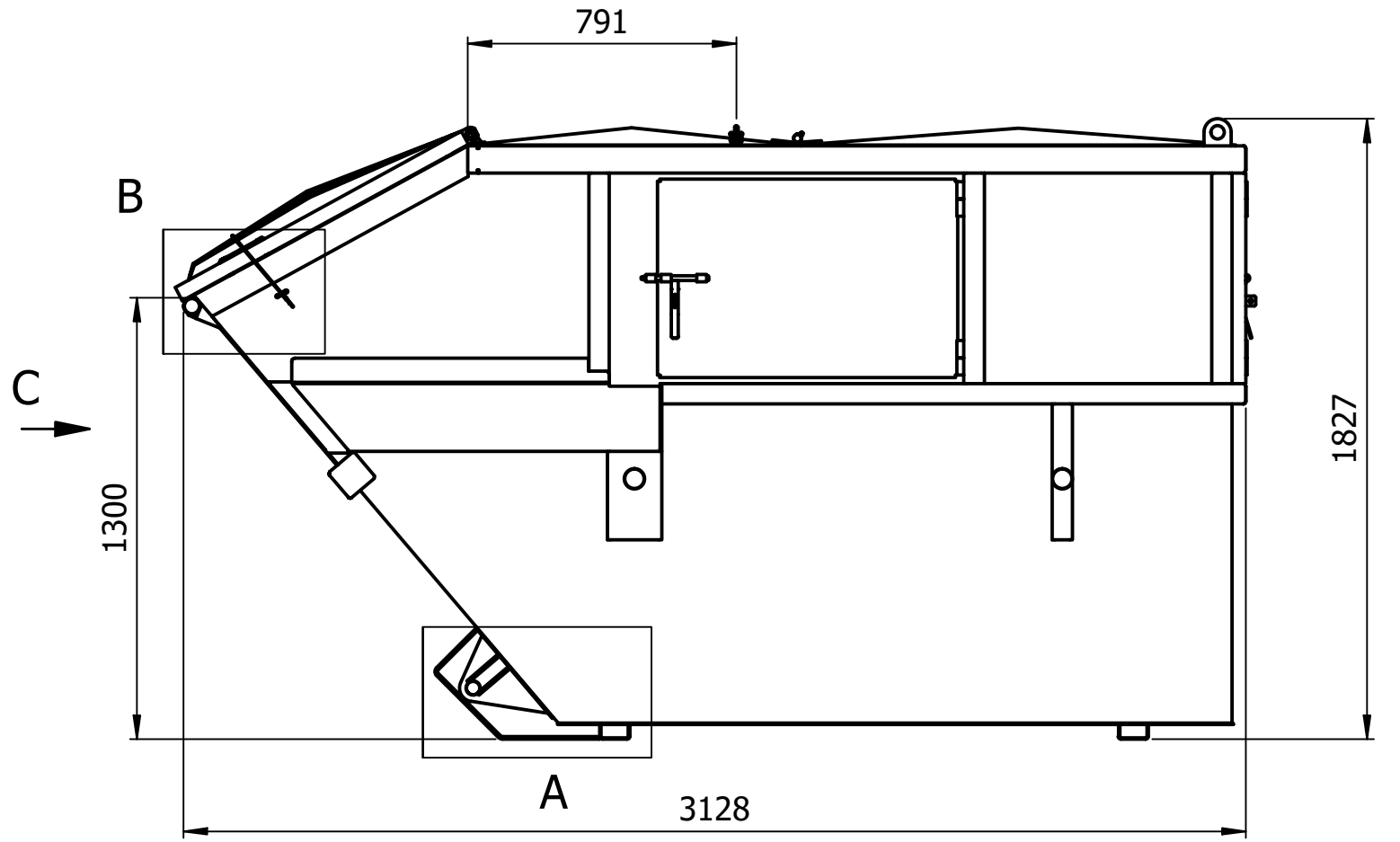
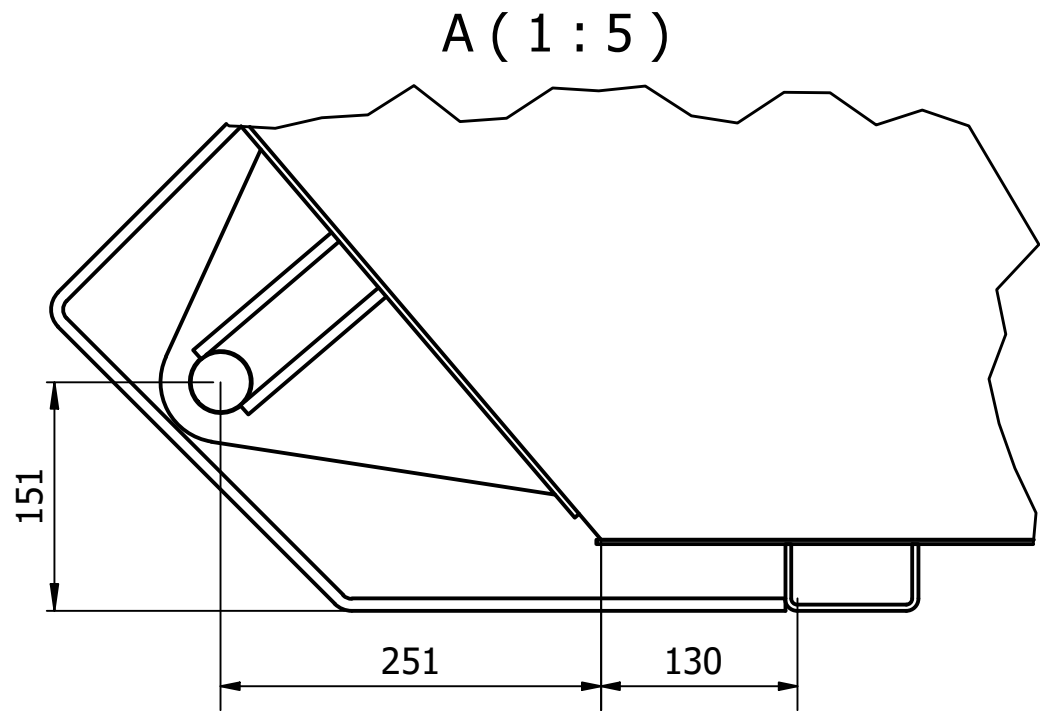
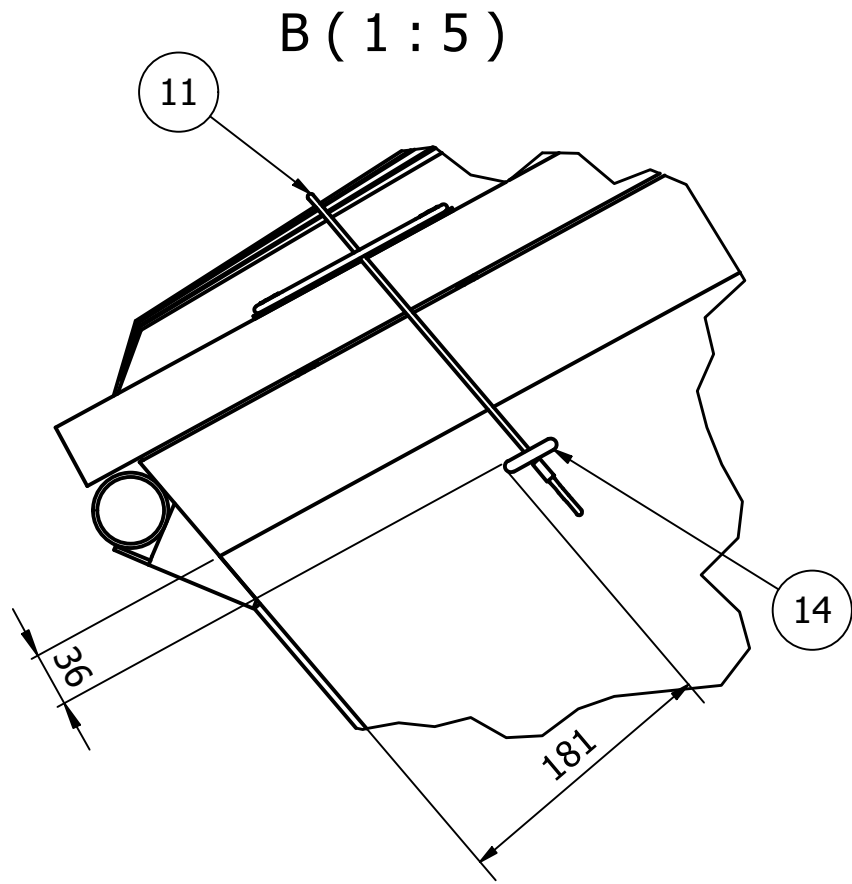



16	3	2002150			
15	1	2002149	S235JRG2		
14	2	2000098	Steel	RING	
13	2	2000212		CHAIN WITH SNAPLINK	
12	2	2002147	S235JRG2	BENDED PLATE	415x262x60x8
11	1	2000217	Steel	WIRE L=2300	114STRINGY 4MM EN12385-4
10	1	2000023		HOOK BOX	
9	2	2000055	S235JRG2	PLATE	265x80x43x3
17	1	2002140			
7	1	2000006	S235 ROUND BAR Ø50	Tilt Shaft	Ø50 L=2000
6	1	2000210		PLASTIC LID	FB
5	1	2002133		Side right	3132x1700
4	1	2002132		Front Gable	1771x1780
3	1	2002121		Side left	3132x1700
2	1	2002126		Rear Gable	1780x1700
1	1	2002129		Bottom	1990x1786
Item	Qty	Partnumber	Material	Description1	Description2

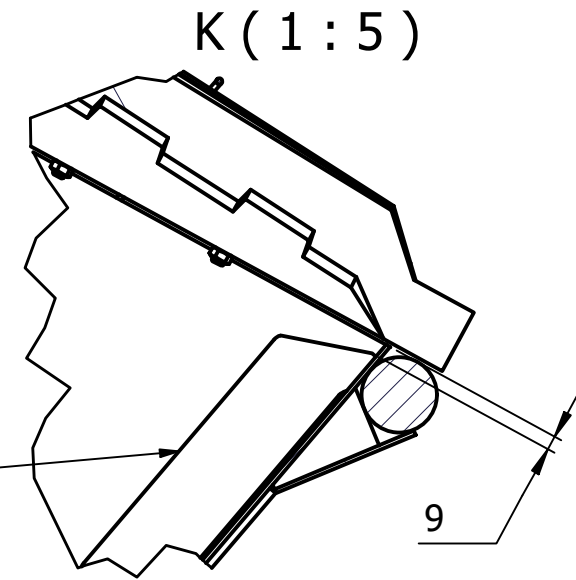
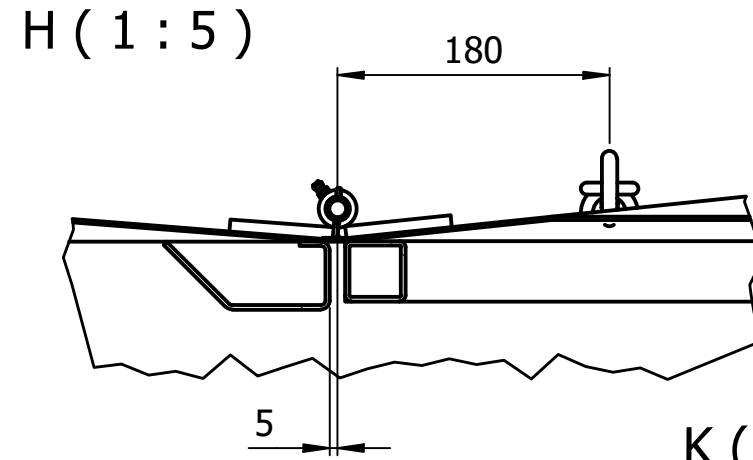
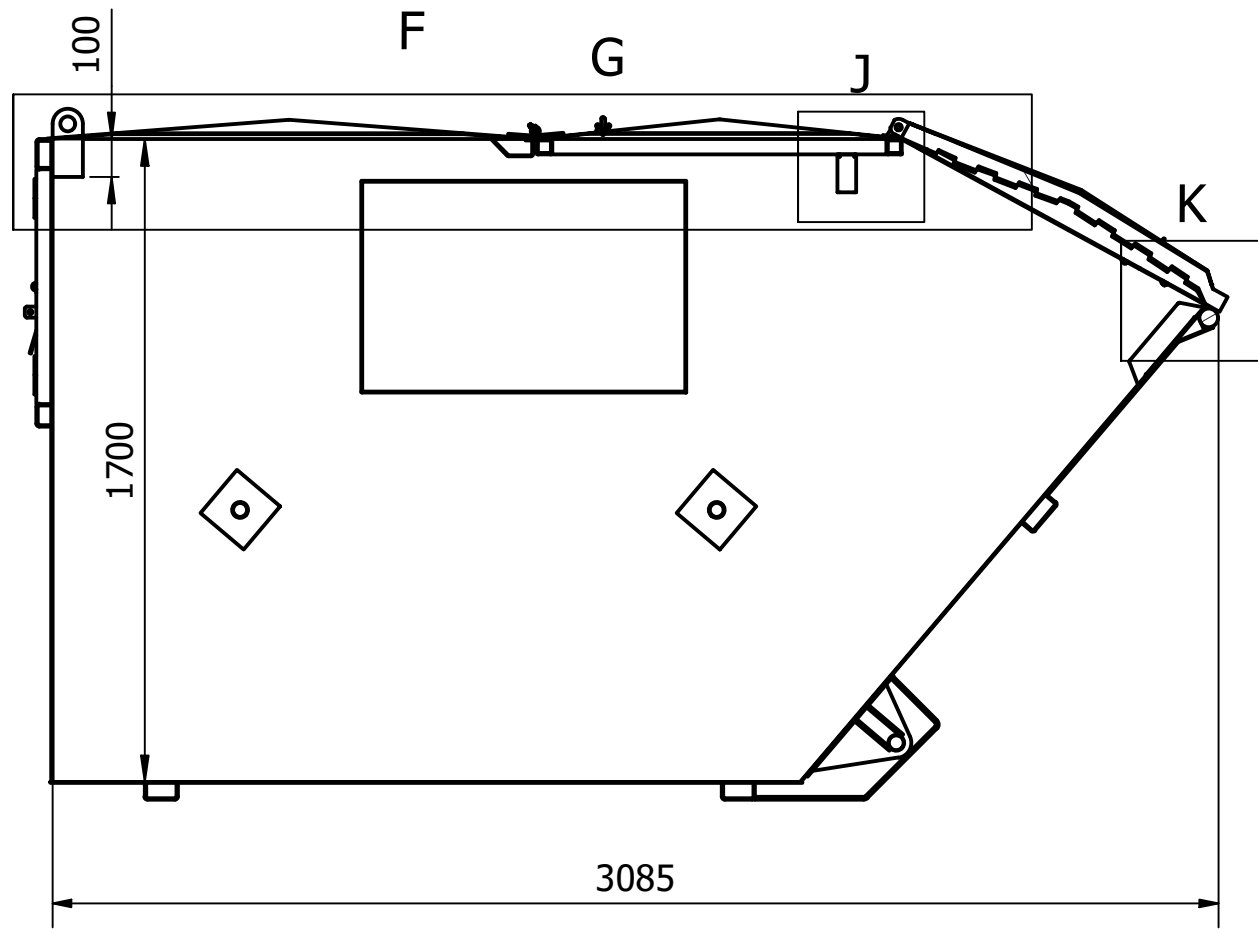
ALL CONTAINERS SHOULD BE FULLY WELDED IF NOTHING ELSE IS SPECIFIED  
IF NO TOLERANCE IS SPECIFIED ON DRAWING YOU SHOULD PRODUCE ACCORDING TO EN ISO 13920-C

Capacity m <sup>3</sup>	Weight kg	Maximum load kg	Format A3	Designer TOB	Checked by	Scale 1 : 20	
 <b>FL-8</b> <small>TOTALLEVERANTOR AV AVFALLSUTRUSTNING</small>						Date 2020-12-06	Sheet/No of sheets 1/4
						Drawing no 201659	Rev

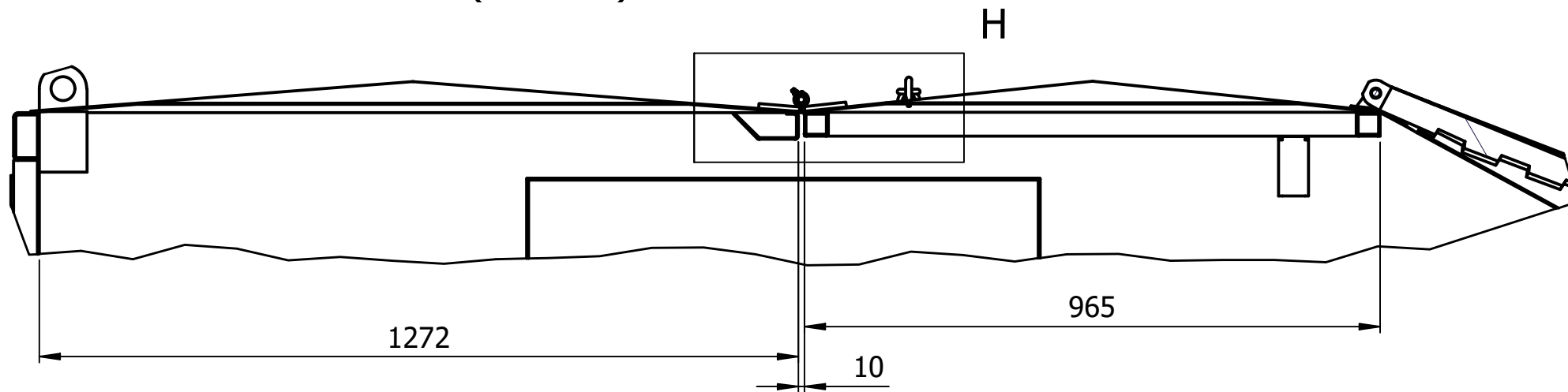


ALL CONTAINERS SHOULD BE FULLY WELDED IF NOTHING ELSE IS SPECIFIED  
IF NO TOLERANCE IS SPECIFIED ON DRAWING YOU SHOULD PRODUCE ACCORDING TO EN ISO 13920-C

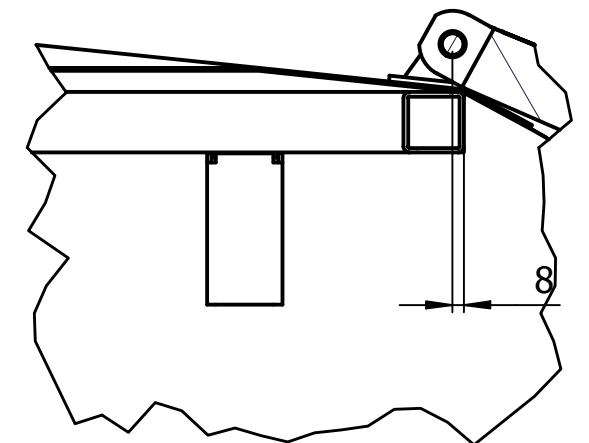
Capacity m <sup>3</sup>	Weight kg	Maximum load kg	Format A3	Designer TOB	Checked by	Scale 1 : 20	Sheet/No of sheets 2/4
 <b>namdal</b> TOTALLEVERANTOR AV AVFALLSUTRUSTNING						Date 2020-12-06	Rev
						Drawing no 201659	

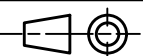



G ( 1 : 10 )

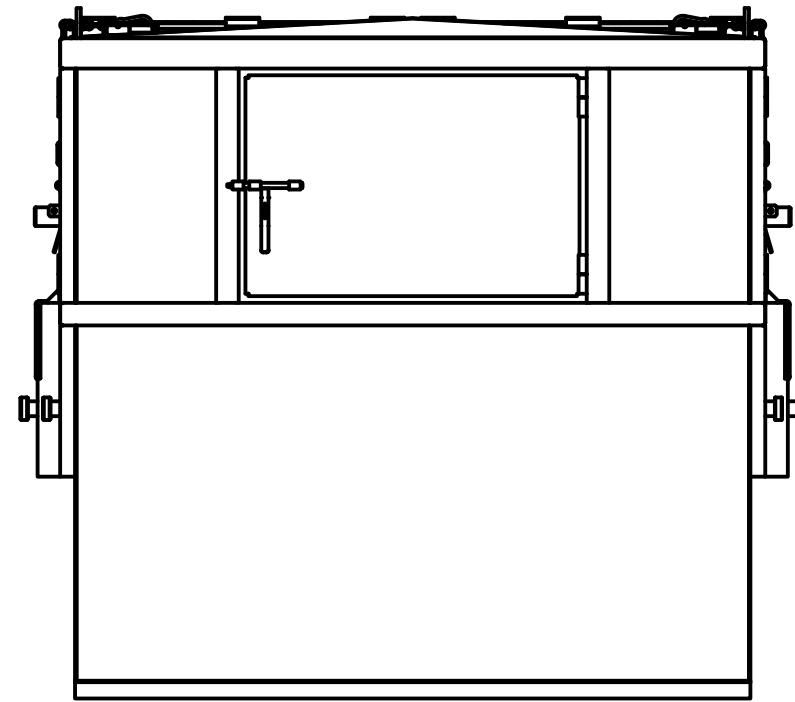
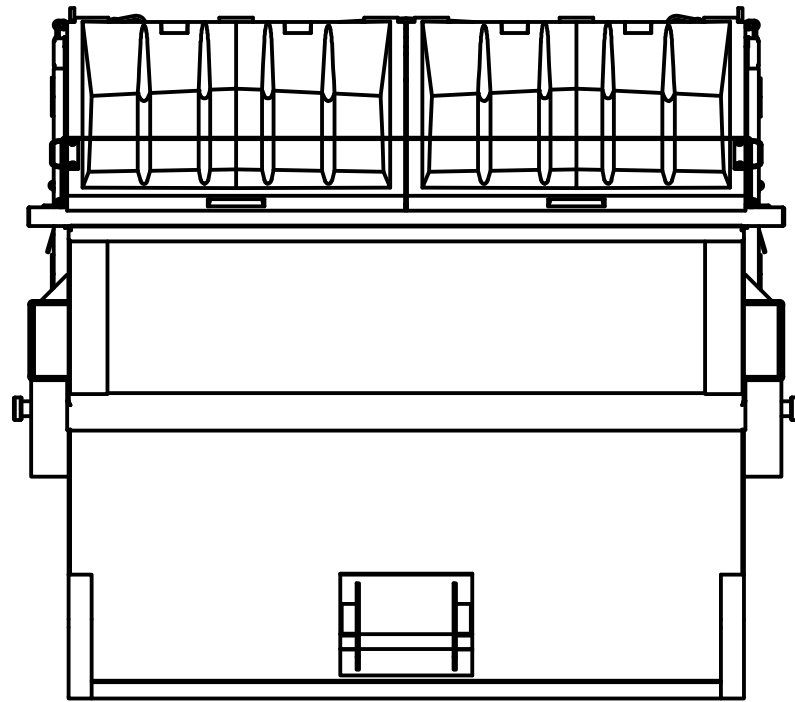
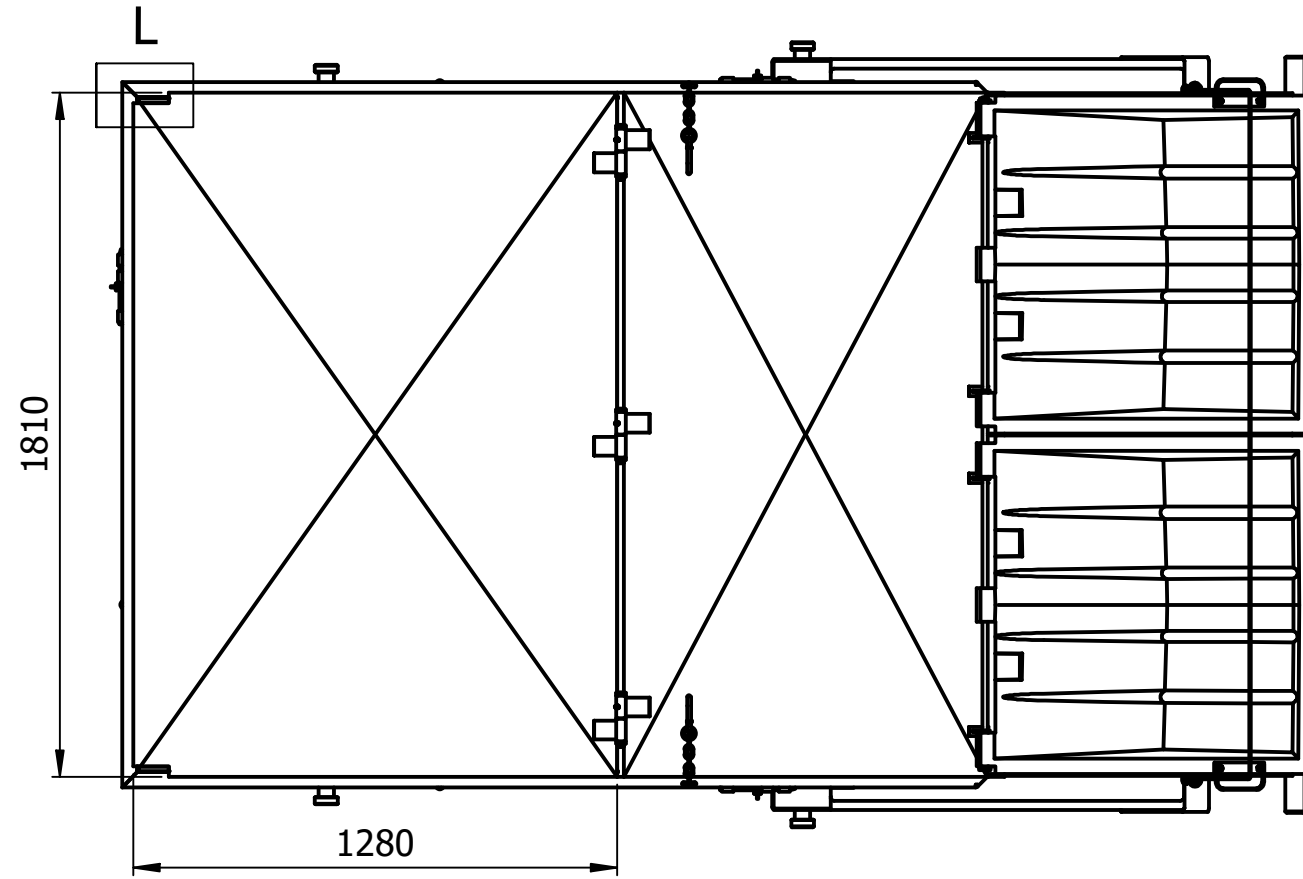
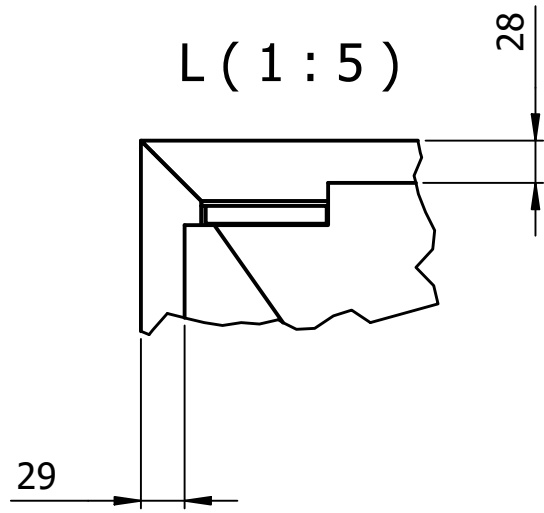


J ( 1 : 5 )



ALL CONTAINERS SHOULD BE FULLY WELDED IF NOTHING ELSE IS SPECIFIED IF NO TOLERANCE IS SPECIFIED ON DRAWING YOU SHOULD PRODUCE ACCORDING TO EN ISO 13920-C									
Capacity m <sup>3</sup>	Weight kg	Maximum load kg	Format A3	Designer TOB	Checked by	Scale 1 : 20			
 <b>namdal</b> <small>TOTALLEVERANTOR AV AVFALLSUTRUSTNING</small>						Date 2020-12-06		Sheet/No of sheets 3/4	
						Drawing no 201659		Rev	

FL-8



ALL CONTAINERS SHOULD BE FULLY WELDED IF NOTHING ELSE IS SPECIFIED IF NO TOLERANCE IS SPECIFIED ON DRAWING YOU SHOULD PRODUCE ACCORDING TO EN ISO 13920-C									
Capacity m <sup>3</sup>	Weight kg	Maximum load kg	Format A3	Designer TOB	Checked by	Scale 1 : 20			Sheet/No of sheets 4/4
<b>namdal</b> <small>TOTALLEVERANTÖR AV AVFALLSUTRUSTNING</small>						Date 2020-12-06		Rev	
						Drawing no 201659			
FL-8									