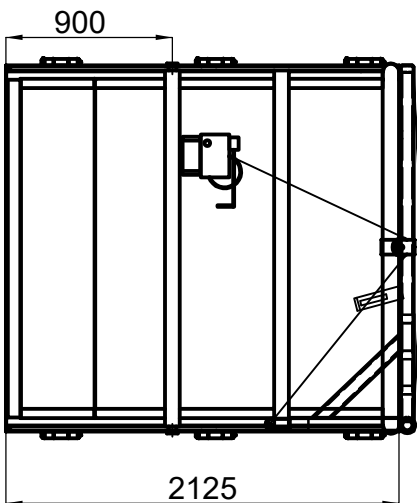
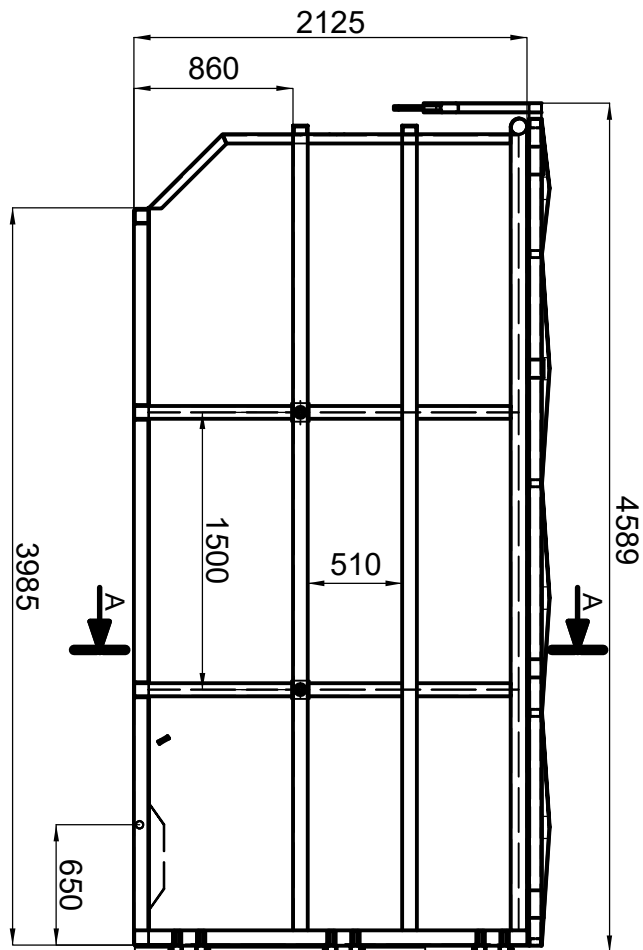
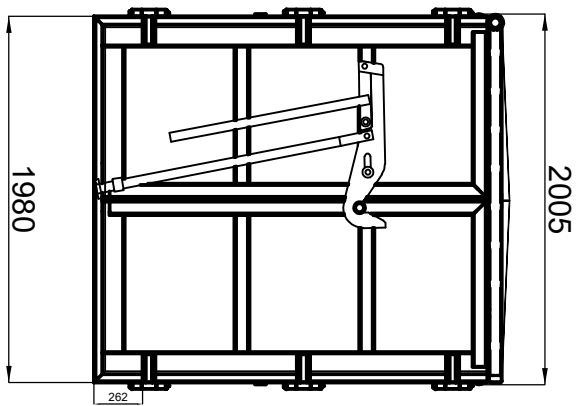
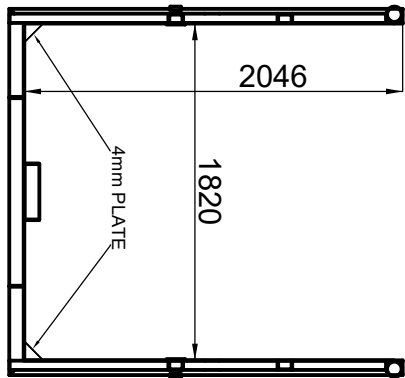


	thick.	quality
sides	4	S235
bottom	4	S235



A-A



Name		LDF-15 PT	
Drawing no.		201802	
Scale		Checked	
Design		Material	
Drawn		Weight	
Date		Sheet no.	



**namdal**  
TOTALLEVERANTÖR AV AVFALLSTRÜSTNING